

**ELECTRIC INFRARED HEATER
WITH GOLD HALOGEN
LAMP 1.3kW
MODEL:CLHR-0013G**



www.colorato.net

INSTRUCTIONS MANUAL

Introduction

This patio heater uses radiant heat to warm people and objects, and not the air in between. This is the only method of heating that does not blow out or blow away. This heater is specifically designed for outdoor use and is therefore weatherproof.

Important Safety Instructions

Before using this heater:

- Check that correct voltage is being used.
- Heater must be securely fitted in the chosen position.
- Avoid touching front glass as much as possible.
- Heater must be disconnected from mains during any installation, cleaning or replacing emitter.
- Heater must not be covered or obstructed during use.
- No objects should be inserted through any slots or openings of the heater.
- Heater must not be used if front glass is cracked or broken.
- Mains cables must be kept clear of heater body, which gets hot during use.
- Emitters must not be handled with bare hands when changing. Any finger marks should be removed with soft cloth and methylated spirit.
- Do not Install less than 2.5m from the floor

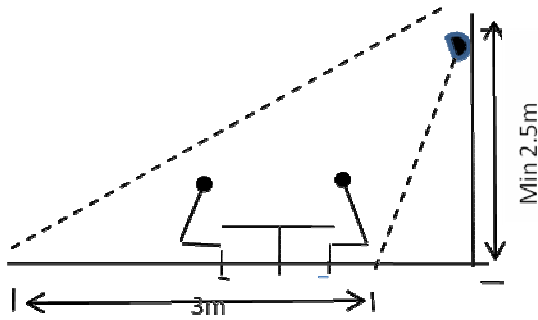
Fire Risk

Heater must be mounted at least 0.9m / 3 feet away from any combustible materials – curtains, furniture, clothes etc. When used outdoors, a waterproof socket is recommended.

Technical specification

Specification	1.3 kW Heater
Voltage (V)	220
Total Power (kW)	1.3
Amps (A)	5.9
Min. mounting height from floor	2.5m
Min. distance from ceiling	0.5m
Min. distance from side wall	1.5m
Dimensions W x H x D	400mm x 306mm x 190mm
Weight	3.7kg
Ingress protection	IP54

Note: Measurements are nominal and subject to change without prior notification



Installation

Wiring

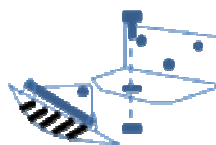
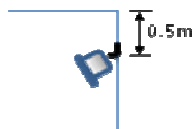
- This heater must be earthed
- Wired versions of this heater are fitted with 5 metres of cable and moulded plug.
- Any unwired heaters should be installed by a suitably qualified electrician, following the instructions below*.
- RCD's recommended where applicable.
- Outdoor connections should use weatherproof sockets / equipment, or the plug should be connected to an indoor socket.
- Damaged cables should be replaced immediately by a suitably qualified electrician.

* Unwired versions

1. Remove terminal box cover and fit cable through compression gland.
2. Cable to be heat resistant with 2 poles and earth. Connect live and neutral wires to the terminal block.
3. The green / yellow wire to be connected to the earth clamp.
4. Tighten compression gland nut ensuring cable is fully gripped by the gland seal.
5. Ensure that the terminal box cover is securely fitted to prevent water ingress.

Mounting

1. Fasten "L" shaped bracket to mounting surface.
2. Attach heater to bracket using nut and bolt supplied. Ensure this is tight
3. The heater should be mounted so that the emitter is no more than 4° from the horizontal. (as viewed from front of heater)
4. Please note minimum safe mounting distances.



Maintenance

If heater fails, please contact supplier in the first instance for advice.

- Before commencing any maintenance / cleaning, please disconnect power supply.
- For optimum efficiency, we recommend that, every approximate 100 hours of usage, the heater glass and reflector should be cleaned internally with a soft cloth.
- This heater is fitted with toughened safety glass.

Replacing emitter.

1. Ensure power supply is disconnected, and heater body and emitter are cool.
2. Unscrew the 4 screws at back of casing.
3. Open front hinged cover.
4. Emitter is simply removed from spring holders by pushing it to one side and removing.
5. Refit in reverse order.
6. Contact supplier for replacement emitter.

Please Note:

Emitter should not be handled with bare hands / fingers. Finger marks should be removed using a soft, lint free cloth and methylated spirit. Finger marks can burn into the emitter causing premature failure.

1.3 kW Weatherproof Infra Red Heater

Installation Manual

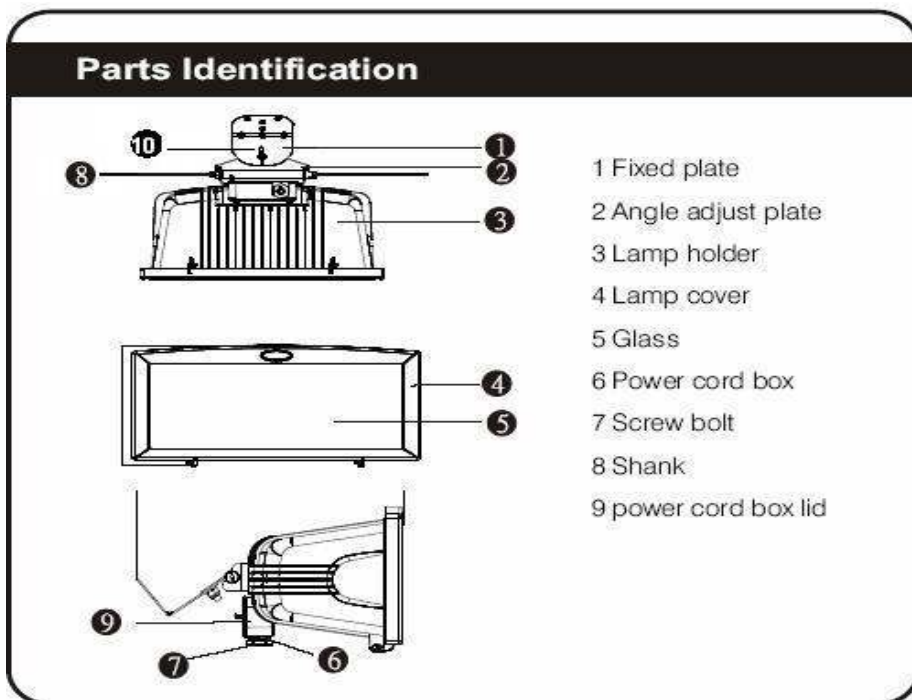
- 1. Fix the fixed plate up to ceiling with some screws.**



- 2. Put the longer shank into angle adjust plate and then lock with another shank.**




3. Fix the fixed plate to angle adjust plate with a bolt.







The symbol  on the product means that at the end of its life, the appliance has not to be considered a common waste. It is a special waste and has to be demolished in specific recovery and disposal area, as prescribed by the EC Directive 2002/96/EC(WEEE). By disposing this product correctly, you can avoid negative consequences for the environment and for the human health, due to the presence of potentially dangerous substances in the product.