

COLORATO

www.colorato.net

INSTRUCTION MANUAL HAIR DRYER CLHRD-1200

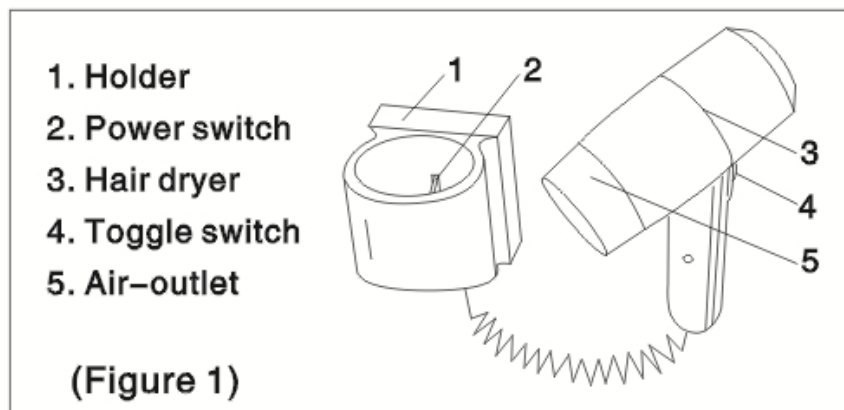
Thank you for purchasing this hair dryer. It adopts double overheating auto cut-off protection. With the new heating unit, it has high heating efficiency. It has novel and unique design, makes low noise and 2 settings for the air speed and the suitable temperature. It is an ideal choice for hotels and households.

Features:

* Double overheating auto cut-off protection

* Two settings for the air speed and the air temperature. One is slow speed of air and cold air and the other one is for fast air speed and hot air.

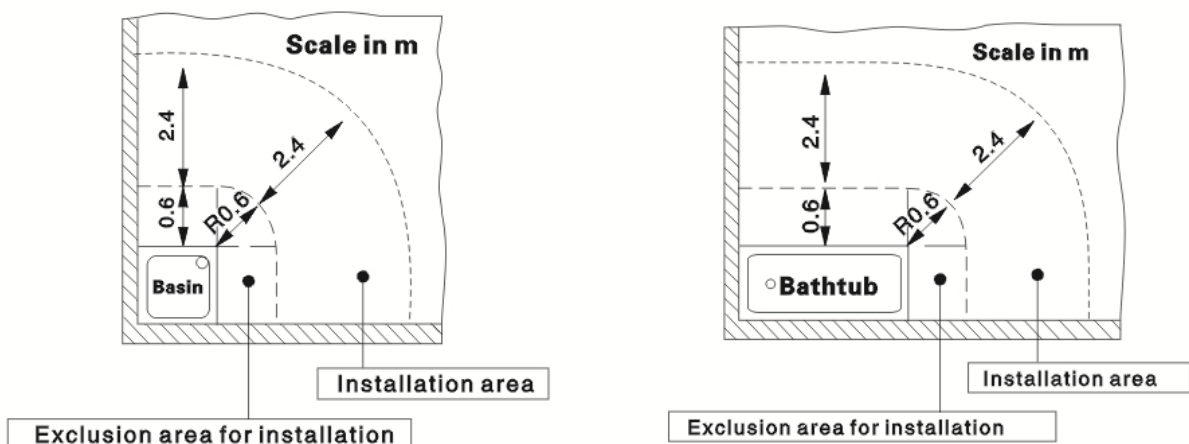
COMPONENTS:



INSTALLATION:

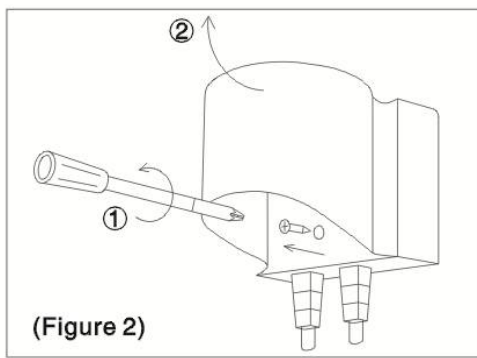
- **Warning: Do not install this unit above the shower basin and places under water.**
- **Recommended installation height (measured from floor): standing 1,6 m, sitting 1,2 m.**

If you want to install this appliance in the bathroom, it must be set apart from the basin, bathtub or the shower for not less than 0,6 m. It cannot be placed over the basin, bathtub or shower. Refer to the following drawings.:

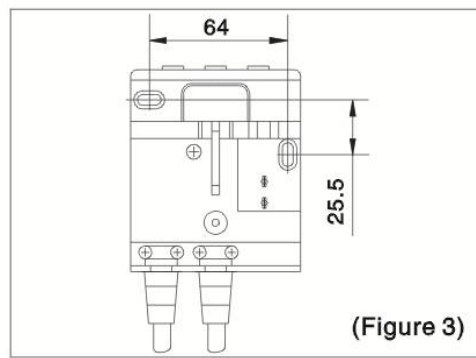


INSTALLATION:

1. Drill 2 holes of 6 mm diameter on the wall as shown in Figure 3. Fix the hanger with the plugs and the screw attached.
2. Fit the back cover right to the hanger and fix the holder and back cover on the wall with the screw.
3. Plug in and switch on the power to use.



(Figure 2)



(Figure 3)

APPLICATION:


Plug in to use and choose the level in the switch.

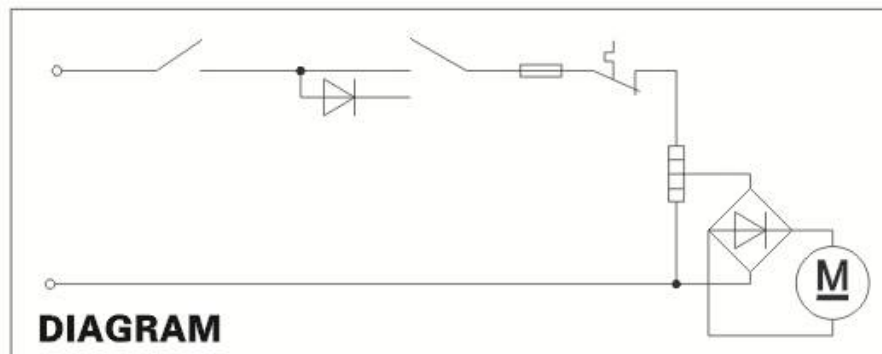
Level 0: Stop working

Level 1: Low speed working, which is good for styling hair. Cold air.

Level 2: High speed working, which dries hair quickly. Hot air.

SPECIFICATION:

Model:	CLHRD-1200	Air supply:	73m ³ /h
Voltage/Frequency:	220V~/50Hz	Air speed:	13m/s
Power:	1200W	Unit weight:	0,6 kg
Electric shock safeguard:		Unit dimensions:	10,8 x 19,5 x 18 cm



DIAGRAM

NOTES:

1. The hair dryer must be installed away from the place of shower bath.
2. DO NOT install the product near a bathtub, washbowl or other vessels that contain water
3. After using the hair dryer in the bathroom, take off the plug, as even though you switch off the power, it is dangerous to be close to water. Suggestion: Install a residual current device which can limit the rate residual working current in 30mA in the electric circuit which supply power to the hair dryer.
4. Avoid spattering the product with water.
5. DO NOT cover the air inlet and outlet.
6. DO NOT shake the hair dryer.
7. When the appliance is out of order during use, cut off the power immediately and stop using it. Contact the service center in order to find a qualified technician to check it.
8. If the supply cord is damaged, it must be replaced by a qualified technician, in order to avoid hazard.
9. This appliance is not intended for use by person (including children) with reduced physical, sensory or mental capabilities or lack of experience and knowledge, unless they have been given supervision or instruction concerning the use of the appliance by a person responsible for their safety.


PACKAGE:

One set of hair dryer

Instruction manual

One pack of 2 pcs of 4*20 screws and 2 pcs Ø6 mm plugs



The symbol  on the product means that at the end of its life, the appliance has not to be considered a common waste. It is a special waste and has to be demolished in specific recovery and disposal area, as prescribed by the EC Directive 2002/96/EC (WEEE). By disposing this product correctly, you can avoid negative consequences for the environment and for the human health, due to the presence of potentially dangerous substances in the product.