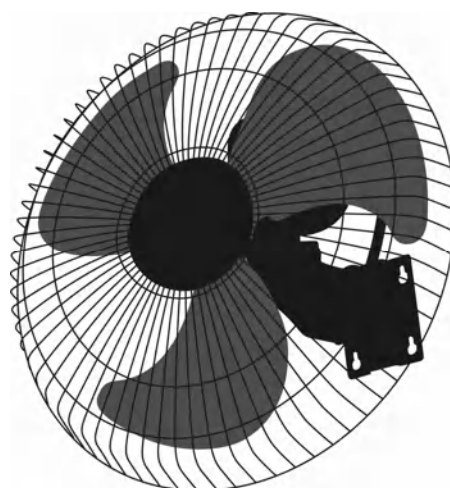
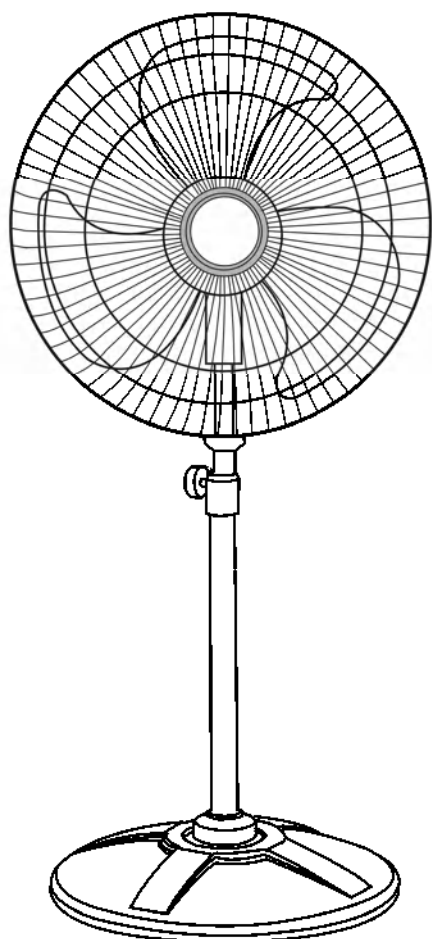


# **COLORATO**

[www.colorato.net](http://www.colorato.net)

## **INSTRUCTION MANUAL OF STAND & WALL FAN**



**MODELS: CLF-18S & CLF-18W**

Read carefully these instructions, before using the appliance

**WARNING: WHEN USING ELECTRICAL EQUIPMENT, THE BASIC SAFETY REGULATIONS SHOULD ALWAYS BE FOLLOWED IN ORDER TO REDUCE THE RISK OF FIRE, ELECTRIC SHOCK and INJURY ETC.**

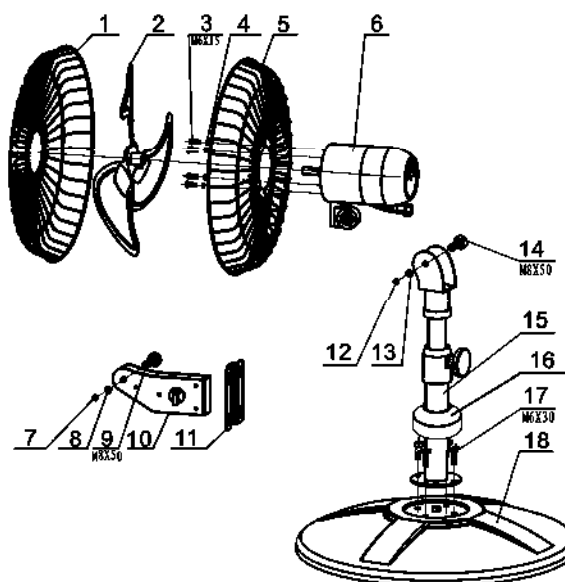
Super speed powerful fan rolls on top quality rolling bearings and a three-speed control with oscillating fan head. Characterized by such advantages as: powerful wind-flow, smooth angel adjustments, low noise, low heat, electricity-saving, low center of gravity, easy to move, and a sturdy protective guard of helical dense web, which presents itself as both safe and beautiful. The fan is meant for household use only.

### 1. CHIEF TECHNICAL DATA:

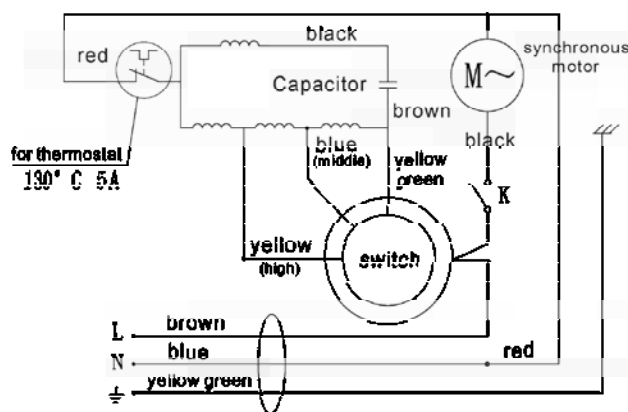
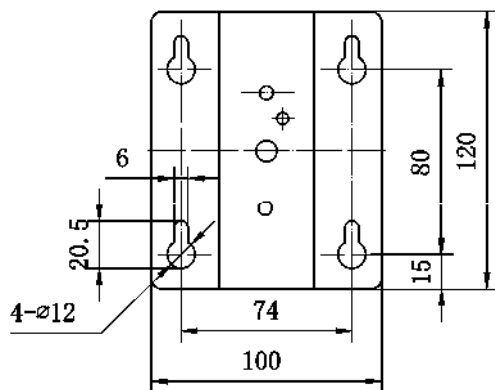
| Model     | Spec | Rated voltage<br>(V~) | Rated frequency<br>(Hz) | Input power<br>(W) | Air delivery<br>(m <sup>3</sup> /min) | Spec    | Rotating speed<br>(r/min) |
|-----------|------|-----------------------|-------------------------|--------------------|---------------------------------------|---------|---------------------------|
|           | (mm) |                       |                         |                    |                                       | (Phase) |                           |
| CLF-16S/W | 400  | 220-240               | 50                      | 110                | 82                                    | Single  | 1350                      |
| CLF-18S/W | 450  | 220-240               | 50                      | 120                | 120                                   | Single  | 1350                      |

### STRUCTURAL DRAWING

1. front guard
2. blade
3. screw
4. washer
5. back guard
6. motor
7. nut
8. washer
9. screw
10. bracket
11. wall board
12. nut
13. washer
14. screw
15. pillar
16. ring
17. screw
18. base



### Installation diagram with dimensions and wiring diagram



## 2. OPERATING INSTRUCTIONS

- 1) Before using, check if the voltage and frequency on the data plate are in agreement with local voltage.
- 2) Unscrew the holding screw off the control box (as shown in the picture), and then fix the box onto the tube base at position shown in the picture.
- 3) Speed control: The switch has three speeds: 0, 1, 2 and 3, to indicate off, slow, moderate and fast.

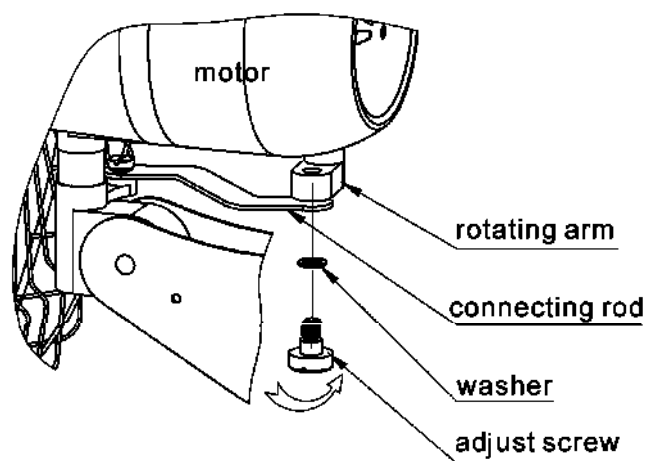
## 3. WARNING-----TO REDUCE THE RISK OF FIRE OR ELECTRIC SHOCK, DO NOT USE THIS FAN WITH ANY SOLID STATE SPEED CONTROL DEVICE.

- 1) Do not touch the blades with hand or hard object before the fan stands still, in case accident happen.
- 2) Do not pull the power cord too hard, let it fall off.
- 3) Do not change the power cord yourself. If there is a real need, have it done at a maintenance station specially designated by our factory or send the fan back to our factory. So as to ensure safety.
- 4) Before clearing disconnect from power, take off the front guard and blade. Use soft cloth wet with soap water or alcohol to erase oil stains first, and then clean it with dry cloth. (Do not use petrol or any other corrosive liquids harmful to plastics and paint). Please do not bump the blades or alter their angles.
- 5) Oscillation setting: Cut off the power first, after the blade stops, loosen the adjustment screw and move it to the position that you desire (when located to the center hole the fan won't oscillate).

## 4. WARNING

If the supply cord is damaged, it must be replaced by the manufacturer, its service agent or similarly qualified persons in order to avoid a hazard.


The product is not for people who are physically weak, slow to react or mentally impaired (including children) to use, unless there are guardian to instruct and help. Children must be supervised to use the product, ensuring that they do not play with the appliance.



Connect the rod as above drawing before use

## ATTENTION



The symbol  on the product means that at the end of its life, the appliance has not to be considered as a common waste. It is a special waste and has to be demolished in specifies recovery and disposal areas, as prescribed by the EC Directive 2002/96/EC (WEEE). By disposing this product correctly, you can avoid negative consequences for the environment and for the human health, due to the presence of potentially dangerous substances in the product.