

COLORATO

www.colorato.net



Instruction manual Dispenser of Gel Soap- Sanitizer / Liquid Sanitizer (Spray)



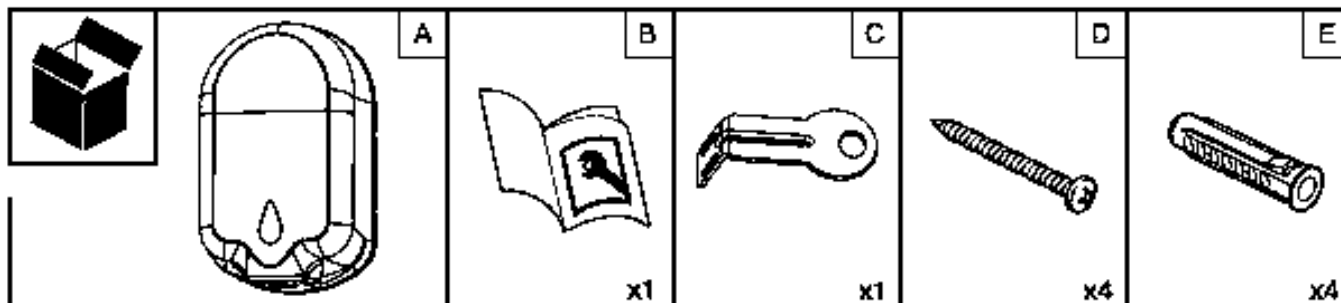
**MODELS: CLSD-100GP GEL SOAP-SANITIZER (PLASTIC)
CLSD-100GSS GEL SOAP-SANITIZER (INOX)
CLSD-100SP LIQUID SANITIZER (SPRAY) (PLASTIC)
CLSD-100SS LIQUID SANITIZER (SPRAY) (INOX)**



**Read carefully these instructions before using the appliance,
observing all safety information and warnings and keep them for
future reference**

PACKING LIST

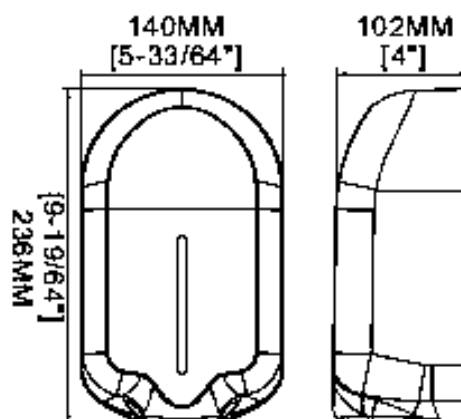
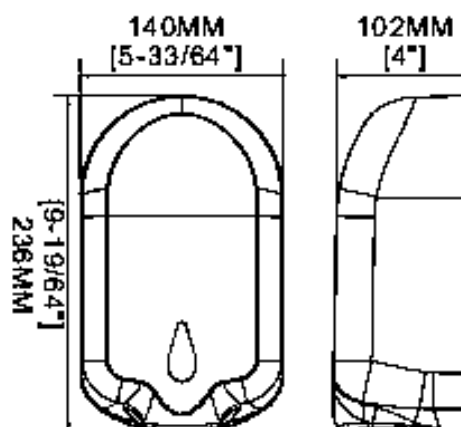
ITEM KEY	ITEM DESCRIPTION	ITEM QTY	NOTES
A	Dispenser Unit Complete	1	
B	Owner Manual [OM- this booklet]	1	
C	Cover Open Key	1	
D	Self-threading Phillips PH Screws	4	M4x16MM [5/32" Dia.x 5/8"]
E	Wall Anchors, Expansion	4	Φ6x18MM [15/64" Dia.x 45/64"]




SPECIFICATION

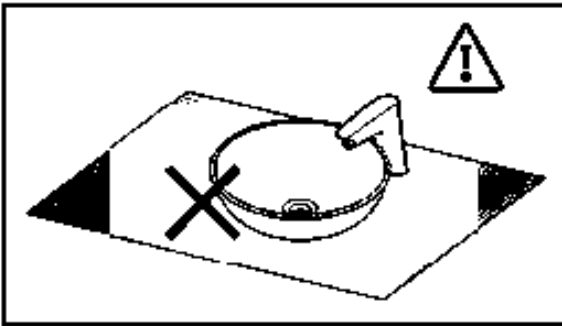
TECHNICAL DATA

Motor Type:	DC Motor, 1400 RPM, 0.5 W
Voltage:	DC 6V [4Pcs AA/ LR6 Alkaline Battery]
Capacity:	1200 ML [40.5 OZ]
Dose/Pump:	1.0 ML [0.034 OZ]
Sensor Range:	3-10 CM
Battery Life:	50,000 Cycles
Room Temperature:	5-40°C [41-104°F]
Drop Type:	Gel Soap or Sanitizer
Foam Type:	Liquid Foam Soap
Spray Type:	Liquid Medical Alcohol
Alcohol Content:	80% [Maximum]
Density:	0.9 - 1.35 Kg/Dm ³
Viscosity:	550 - 2,500 Cps
Body Material:	Stainless Steel 304 or ABS plastic
Unit Shipping Weight [Stainless Steel]:	1.05 KG [2.31 LB]
Unit Net Weight [Stainless Steel]:	0.9 KG [1.98 LB]
Unit Shipping Weight [ABS Plastic]:	0.82 KG [1.80 LB]
Unit Net Weight [ABS Plastic]:	0.67 KG [1.48 LB]
Do Not Use :	Soap or Sanitizer contains chlorine or solid or abrasive particles



The symbol  on the product means that at the end of its life, the appliance has not to be considered a common waste. It is a special waste and has to be demolished in specific recovery and disposal area, as prescribed by the EC Directive 2002/96/EC(WEEE). By disposing this product correctly, you can avoid negative consequences for the environment and for the human health, due to the presence of potentially dangerous substances in the product.

BEFORE INSTALLATION



It is recommended to avoid installation of dispenser near high reflective objects (mirror, stainless steel washbasins, etc.) in order to avoid faulty function of the presence sensor.

If it is installed near a washbasin and 250MM from dispenser's bottom to the basin desk is required.

INSTALLATION

BEFORE INSTALLATION

Provide vertical, clean and smooth mounting surface.

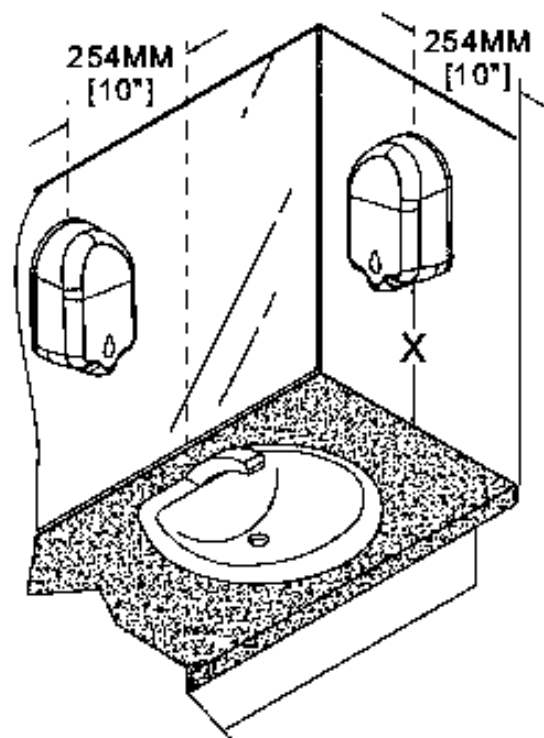
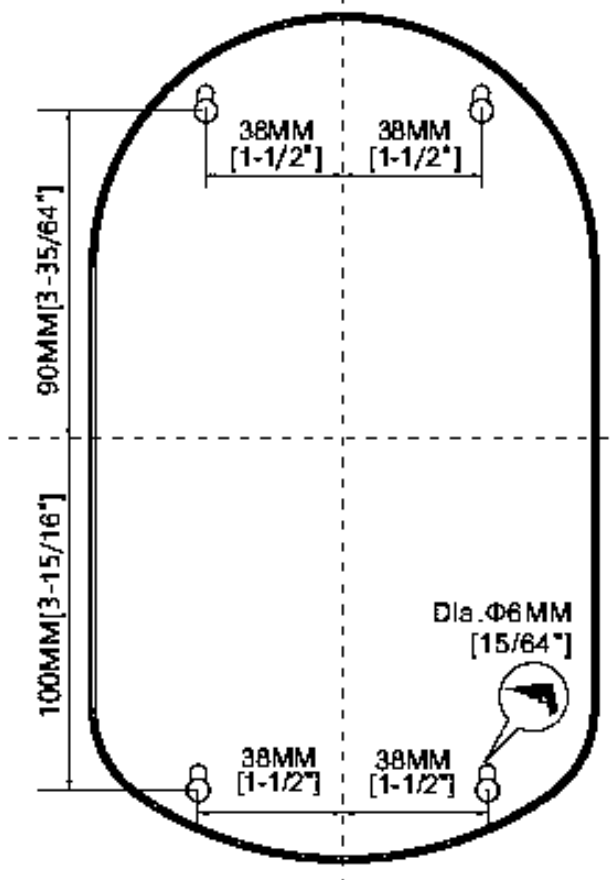
Make sure there is enough room above dispenser to access cover lock key.

Ensure there are no obstructions below unit in sensor range.

Check operation of unit while holding in place by hand BEFORE permanent installation

INSTALLATION

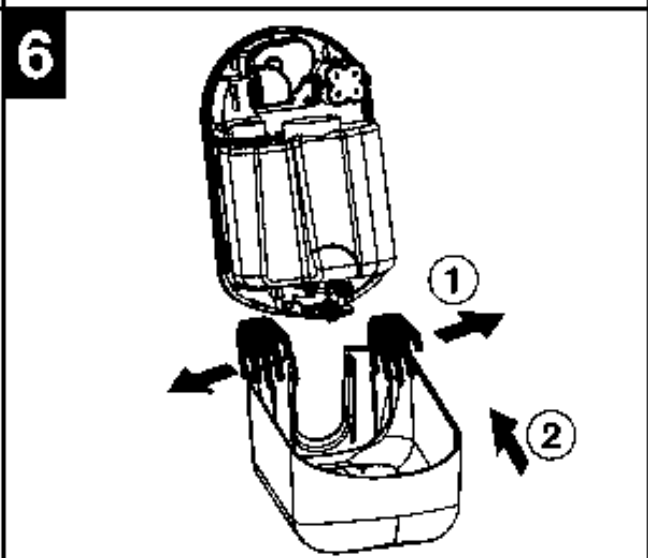
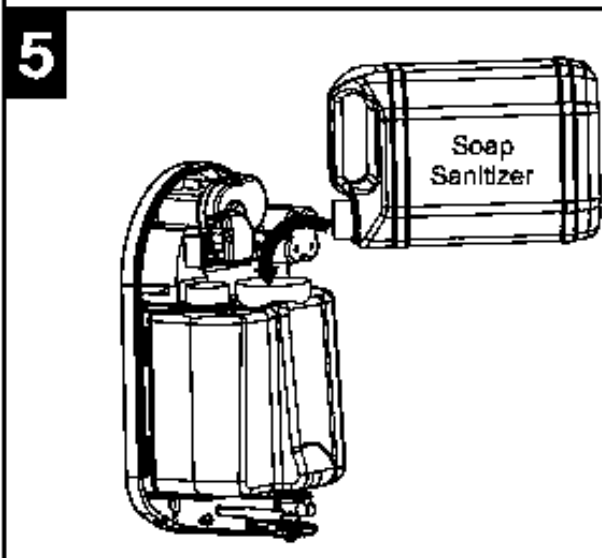
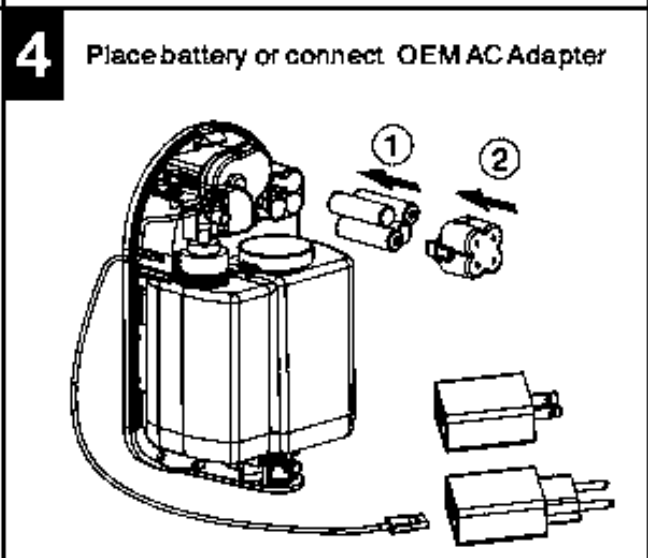
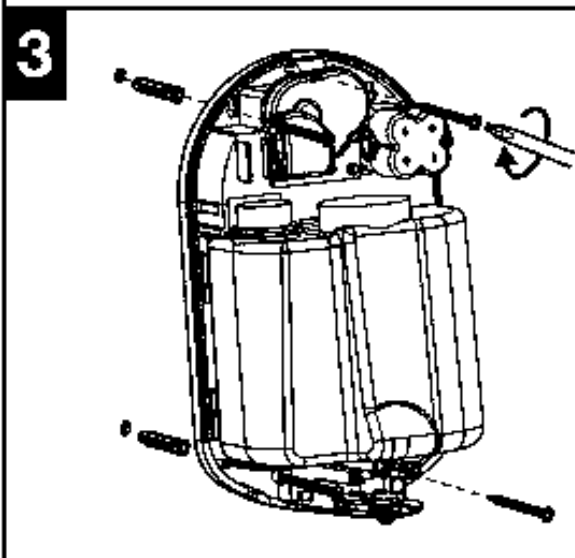
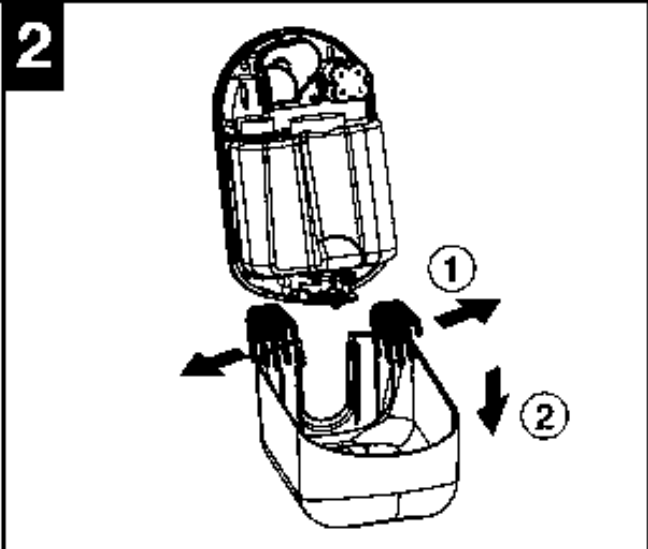
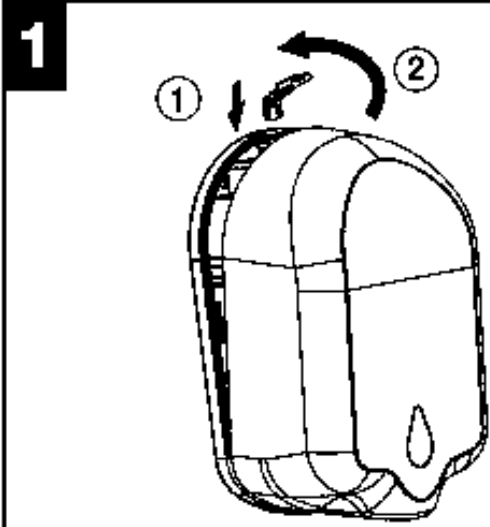
Drill four [4] holes as following diagram of $\Phi 6 \times 18 \text{MM}$ [15/64" Dia. x 45/64"] deep if using wall anchors supplied with unit. Install supplied anchors flush with wall face, or install other fastening system suitable for wall conditions (not supplied). Attach dispenser] to wall.



"X" Distance [Minimum]:

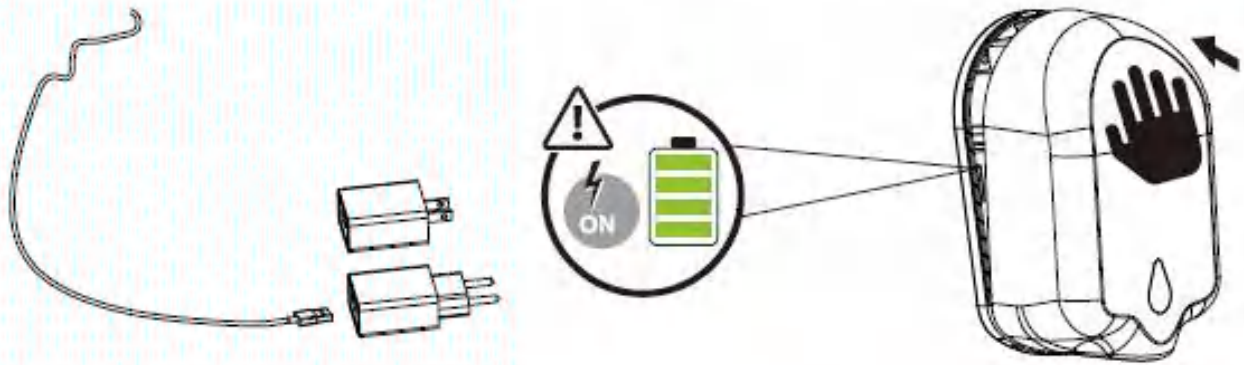
Normal Counter Top: > 200 MM [7-7/8"]

Stainless Steel Counter Top: > 300 MM [11-13/16"]



7

Replace cover and lock it then the dispenser is power on [Plug in if AC Adapter is supplied]



BASIC USE



Drop: Gel Soap [Sanitizer]



Spray: Medical Alcohol Liquid



Drop: Soap Foam

▲ IMPORTANT

For the first time use or long time no use, please active the sensor by hand around 5 times in order to clean the air in pipe.

TROUBLE SHOOTING

SYMPTOM	CORRECTIVE ACTION
No soap dispensed on hands	<p>Check soap qualities, properties and level in soap/sanitizer tank.</p> <p>Check sensor cover for dirt obscuring the lens.</p> <p>Check battery charge level.</p> <p>Check spout nozzle, soap dispensing tube for clogs.</p> <p>Check if the ON/OFF lever [Installation "7"] at right location.</p> <p>Check if the soap tank locates at right hanging bracket [Installation "3"].</p> <p>Active the dispenser sensor several times for the first time use or long time no use the dispenser. Some soap [Sanitizer] is blocked the pipe if lone time without use the dispenser.</p>
Low volume soap dispensed	<p>Remove soap tank & wash out spout nozzle, clean dispense tube by water.</p> <p>Check if the tube is loose without cross-threaded.</p>
Soap leaks	<p>Check if the soap tank leakage.</p> <p>Check if dispense tube connection loose.</p> <p>Check disposable soap pump for defects and/or replace.</p>

WARRANTY

All of our dispensers are designed and manufactured to provide years of dependable performance. Component parts are guaranteed to be free of defects in material and workmanship for a period of one (1) year from date of original invoice. This guarantee will be honored provided that the dryer is installed and maintained in accordance with the instructions. Parts damaged during the installation are the purchaser's responsibility. The warranty covers defects exclusively, and only liability for the replacement of defective parts will be accepted. This warranty does not cover wear and tear, or misuse and abuse. Transportation, freight cost and labor are also excluded.

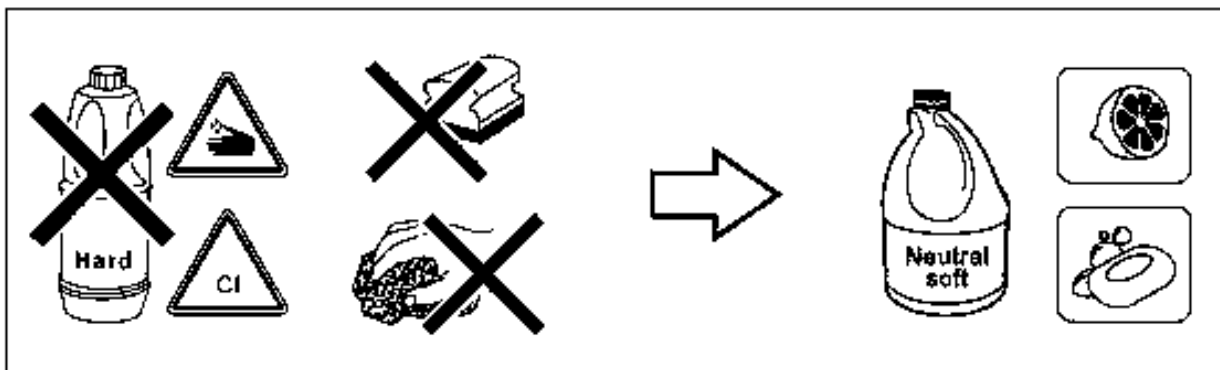
Defective parts must be returned prepaid, accompanied by the serial number, to the point of purchase. This warranty is granted solely to the original purchaser of the unit and is subject to registration.

MAINTENANCE

Soap dispensers located in low traffic areas should have the soap dispenser valves wiped down to remove any air-hardened soap residue left on the nozzle spouts. This should be done as part of the day-to-day janitorial maintenance routine covering them. General cleaning on a regular schedule is adequate for soap dispensers in higher traffic areas, with no special attention required.

General cleaning tips

Apply neutral detergents formulated for these purposes (non-ionic surfactants and citric acid). Apply the detergent with soft cloth. Be careful with abrasive cloths. They may scratch the surface. Rinse with water until all the detergent has gone. Residue from hygiene products, liquid soap, shampoos, bath gel, etc, can also damage surfaces. Rinse the surface with plenty of water after use. Limescale stains can be prevented by drying the surface with a soft cloth after use.



Specific cleaning tips

Limescale from mains water: Apply a solution of one part vinegar and three parts water directly to the stains and leave to work for a few minutes. Then rub with a soft cloth or damp sponge. Then give it a final wash with plenty of water and neutral soap to ensure it is thoroughly rinsed.

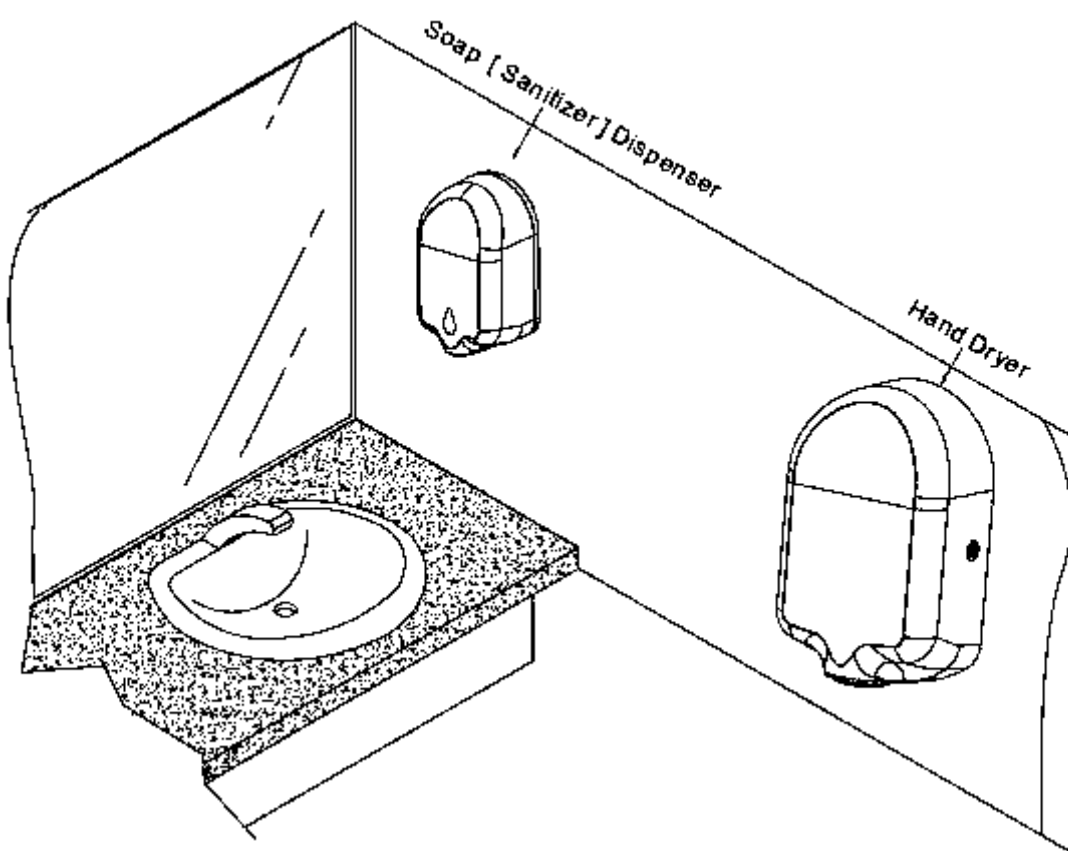
Unacceptable practices (loss of guarantee)

- Do not apply detergents with abrasive products or which contain:
 - Hydrochloric acid
 - Sodium hypochlorite (bleach)
 - Formic acid.
- Do not use abrasive utensils like metal scouring pads or abrasive sponges.
- Do not spray the detergent on the surface, because the liquid can get into the openings or cracks in them and cause damage.
- Do not use anti-limescale and descaling cleaning products.
- Do not use silver cleaners, certain chlorides.

General design concept

Luxury washroom experience wanted?

You can choose Dispenser of Soap/Sanitizer and Hand Dryer of the same design.



Hand Dryer CLHD-90S



Automatic hands
ON/OFF by infrared
sensor



105 meters/second
speed
10-seconds drying time



Externally visible
service blue LED
guides hands to airflow



High speed motor
36000 rpm power
450watt +450watt
for heater



Double protection
heater by Thermostat
& Thermal Cutoff



Cover right grounding



Fireproof key plastic
parts & stainless steel
cover



Customized coarse
particulate filter at air
inlet



Convenient plug in
feature
Optional hardware
installation



Easy maintenance
Easy wall surface
mounted
Anti-theft lockable



Customized heater
ON / OFF switch



16 cm (6.3") depth
ADA-compliant



16 cm (6.3") depth
Behind mirror hand
dryer

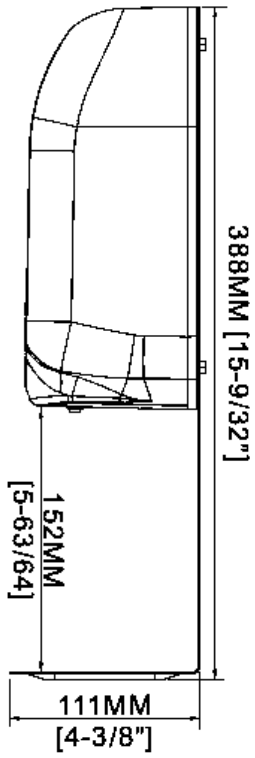


Compact design with
any washroom
compliant

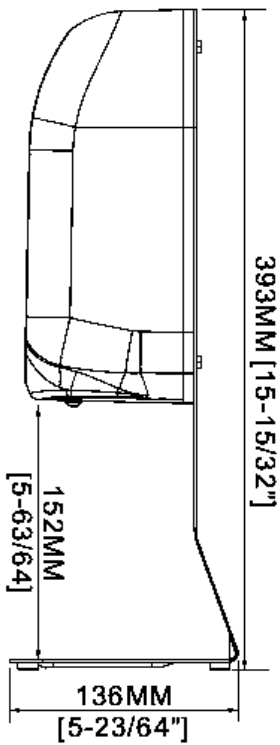


Round air outlet to
create high airflow

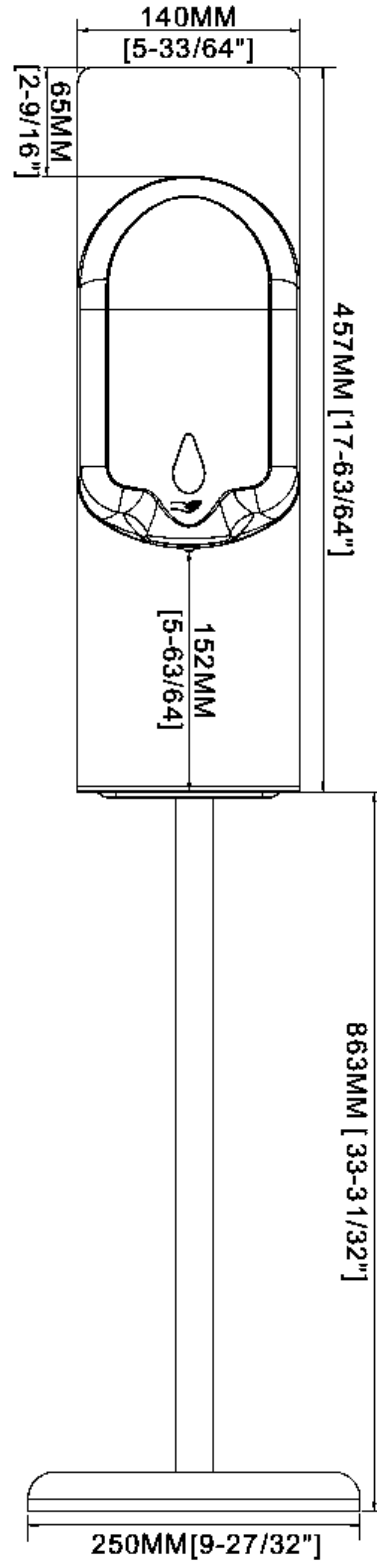
Drip Tray Size



Wall Mounted Drip Tray



Portable Table Drip Tray



Portable Floor Drip Tray