

COLORATO

www.colorato.net

Instruction manual Hand Dryer



MODEL: CLHD-90S

Read carefully this manual before using the appliance
and keep it for future reference

HAND DRYER USER MANUAL

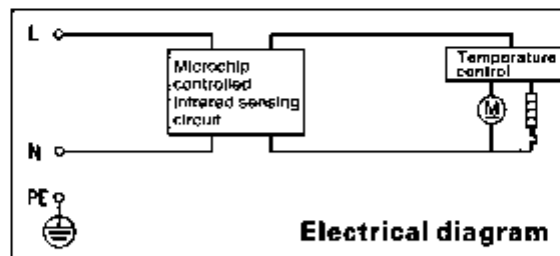
Thank you for purchasing this hand dryer. It's a smart hand dryer, equipped with digital circuit control, and infrared auto sensing technologies, are specially designed for use in hotels, homes, and public places. They feature high efficiency, concentrated air flow, and quick drying, among other advantages, completed with beautiful and enduring shell of aluminum alloy.

Features:

- ※ **Energy saving:** Unique high-speed motor, low overall power consumption, high efficiency, round nozzle for concentrated air flow, and quick drying process. With less than half power of ordinary hand dryers, it can complete the drying process two times as quickly as them. Its specially designed heating element switch allow easy shift between warm air and cold air, making it more energy saving and user friendly.
- ※ **Safe:** This hand dryer smart hand dryer has multiple protections against over temperature, over current, and over time to prevent accidents.
- ※ **Comfortable:** Micro-smart control chip, coupled with cutting edge digital processing of infrared signals, ensures accurate and reliable control. When your hand reaches within 10cm to the nozzle, the hand dryer will automatically sense it and start to blow warm air. It will stop operation after 1 second after your hand moves away.
- ※ **Endurable:** Enclosed stream-line shell of stainless steel offers considerably improved water resistance.

Specification:

Voltage	Power	Frequency	Water splash proof
110V~/120V~	900W	50Hz/60Hz	IP22
220V~/230V~/240V~			



Important safety notes

Do not let people with weak physical, visual, or mental capacity, including children, and those lacking of relevant experience or knowledge use this product, unless they are under instruction or guidance of such people as responsible for their safety.

▲ Danger

- ※ Installation, and all other dangerous work shall only be carried out after the power is cut off; or it may result in injury or even death because of serious electric shock.
- ※ Wiring procedures must be in compliance with relevant technical standards, and all other regulations and rules relating to indoor installation of electrical wires, to guarantee safety.
- ※ Damaged power cord shall be replaced with dedicated soft cord or such dedicated components purchased from the manufacturer or repair department.
- ※ In the event of any failure during use, please cut off the power, put it out of service, and contact this company or other professionals to repair.


▲ Cautions:

- ※ Before use, make sure the rated voltage of this product is the same as your local voltage.
- ※ The hand dryer shall be installed in such a place that it cannot be touched during a bath or shower.
- ※ Do not install this device near bath tub, sink, or other vessels for water.
- ※ Do not spray water directly on the product.
- ※ Do not clog the inlet and outlet of air.
- ※ Do not shake it violently.

This appliance can be used by children aged from 8 years and above and persons with reduced physical, sensory or mental capabilities or lack of experience and knowledge if they have been given supervision or instruction concerning use of the appliance in a safe way and understand the hazards involved. Children shall not play with the appliance. Cleaning and user maintenance shall not be made by children without supervision.

If the supply cord is damaged, it must be replaced by the manufacturer, its service agent or similarly qualified persons in order to avoid a hazard.

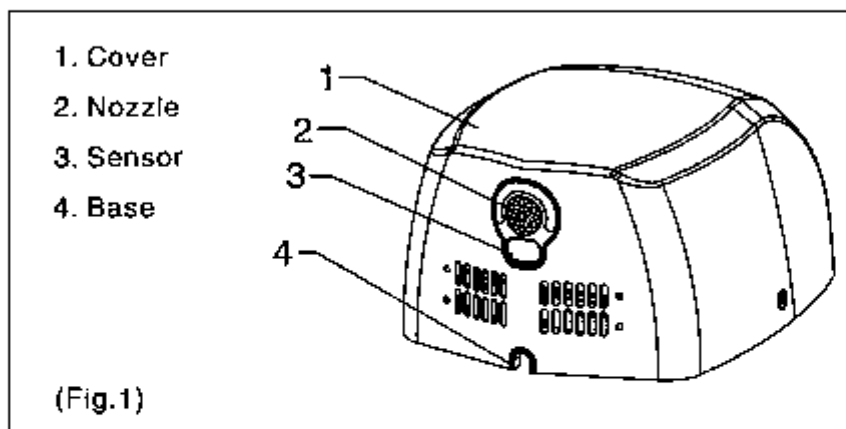


The symbol  on the product means that at the end of its life, the appliance has not to be considered a common waste. It is a special waste and has to be demolished in specific recovery and disposal area, as prescribed by the EC Directive 2002/96/EC (WEEE). By disposing this product correctly, you can avoid negative consequences for the environment and for the human health, due to the presence of potentially dangerous substances in the product.

Package:

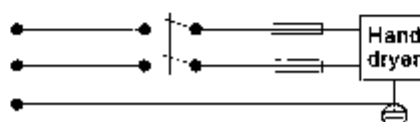
- Hand dryer x 1;
- Installation template x 1;
- User instructions x 1;
- Installation package: $\varnothing 8 \times 35$ mm plug x 4, ST4.8 x 40-C tapping screw x 4.

Components:

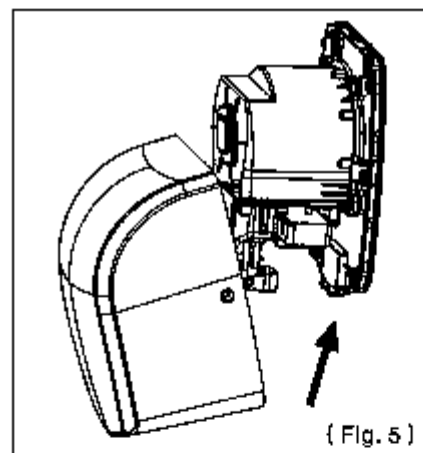
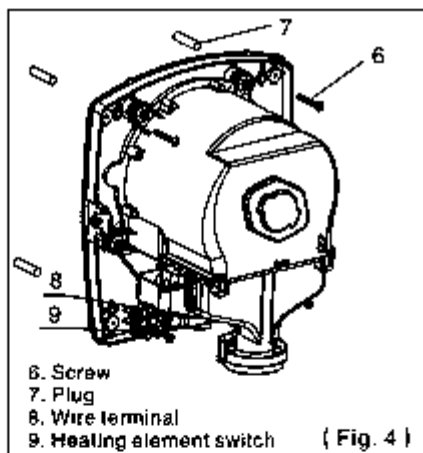
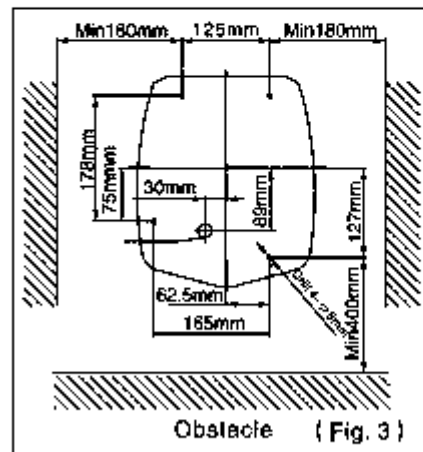
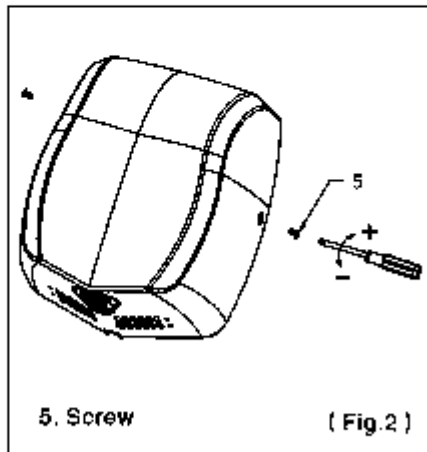


Installation:

- ※ A secondary switch, with contact distance >3mm, shall be installed before connection to the main power.
- ※ This product must be earthed.

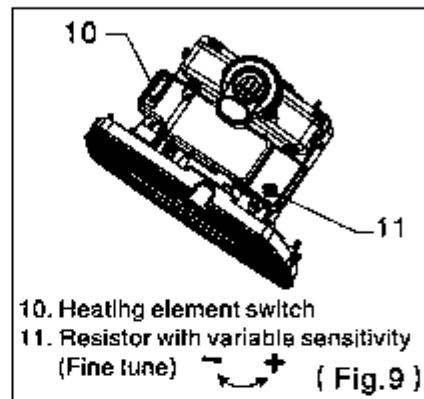
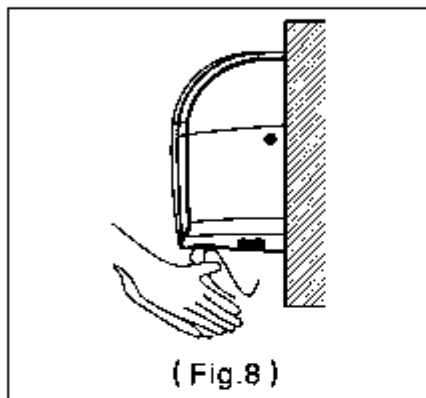
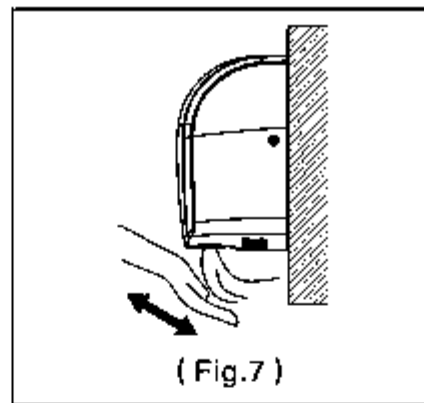
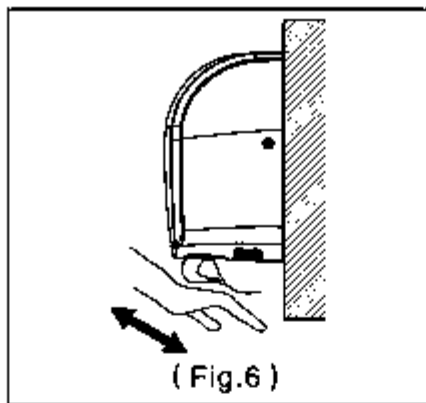


1. As showed in Fig. 2, remove screws at both sides of the hand dryer, and take off the shell. Use the sizes provided by the installation temptate (Fig. 3) to drill 4- \varnothing 8mm holes of 35mm deep.
2. Fix the hand dryer to the wall using the plugs and screws attached (Fig. 4)
3. Put on the cover, in the direction as showed in the figure heiw, to cover the machine; fix the sheit to the base board using its original screws. (Fig. 5)
4. In case of concealed installation, knock out the pre-cut cover of wire inet on the base, remove the original power cord, thread the wire through the hole and connect it to corresponding terminals.



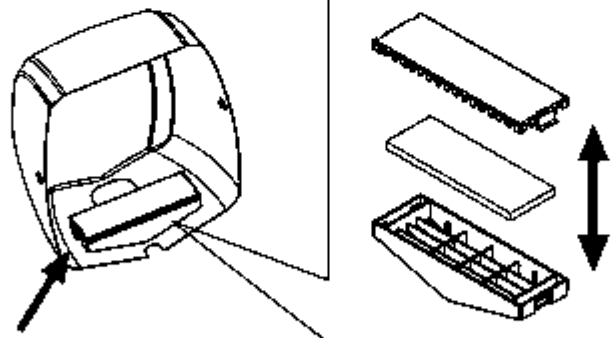
Application:

1. After installation is completed, connect the device to power and it will be stand-by.
2. When you hands reaches within 10cm to the nozzle, the hand dryer will automatically sense it and start to blow warm air. Follow the instructions as showed in Figures 6, 7, and 8 till your hands are dry. It will stop operation after 1 second after you hands move away. If the hand dryer continues to operate for 1 minute, the air flow will stop; it may be restarted when the sensing process is activated again.
3. In order to be operational in various working environments, the infrared transmitter has been set to the highest degree of sensitivity. in the event of prolonged operation or no working, please make adjustment in accordance with Fig. 9.
4. There is an built-in heating element switch; if you want to shift between cold and warm air, take off the shell (Fig. 2), and operate the switch (as showed in Fig. 9) to make the shift (the default setting is warm air).



Change of filter net (for specially suit this model, to be purchased separately)

1. Take off the shell, and remove the filter net cover at the place as directed by the arrow mark in the figure.
2. Place the filter net into the filter tank, and put back the cover.



Maintenance

1. Cut off the power before cleaning.
2. Wring wet cloth out before using it to clean
3. In order to avoid spoiling the product, do not use thinner, alkaline detergent, benzene, alcohol, germicide, or metal brush.
4. If chemical cloth is used, please follow its instructions.
5. Do not pour disinfectant directly on the product.