

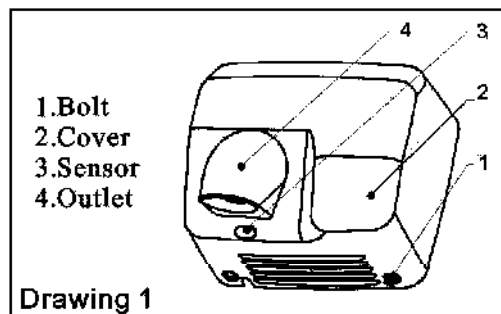
COLORATO

www.colorato.net

INSTRUCTION MANUAL HAND DRYER CLHD-250S

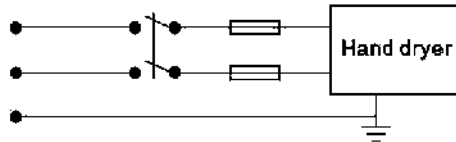
Thank you for your favor to our hand dryer, which is infrared sensor operated, durable and steady. With the air speed at 30m/s, and the configuration of the double super heating protection and streamline metal cover, blowing volume as 270m³/h could dry your hand quickly. Adjustable wind outlet as 360° angle, makes it could be used to dry your hair and body. It is a idea choice for the hotel, Office, Reference Hall, Waiting room etc.

APPEARANCE:

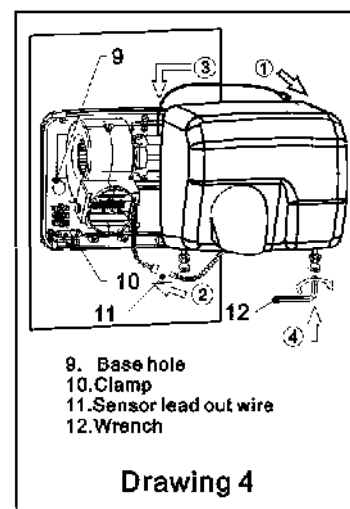
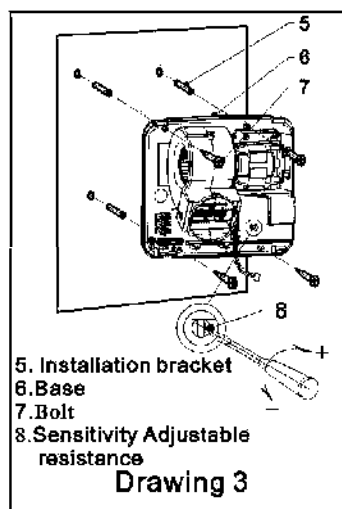
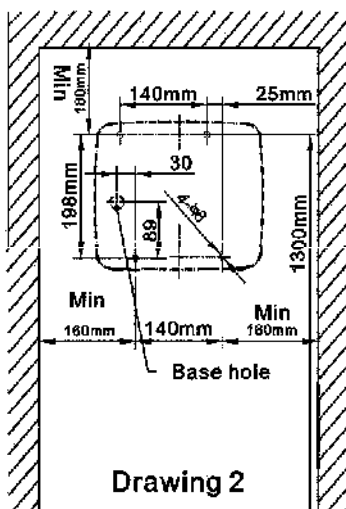


DIRECTION FOR INSTALLING

- A switch with two poles should be applied between this appliance and the power supply cable; the terminal gauge should be larger than >3mm.
- This appliance should be grounded.



1. Disconnect the cover orderly ④ ③ ② ① per as drawing 4. Do not overexert pulling the annectent wire between the cover and inside while disconnecting the cover.
2. Fix the hole point per size as drawing 2, then driii hoies of $\varnothing 8$ mm, and 35mm deep.
3. Fix the base to the hoies with the plastic stoppie and screw attached. (drawing 3)



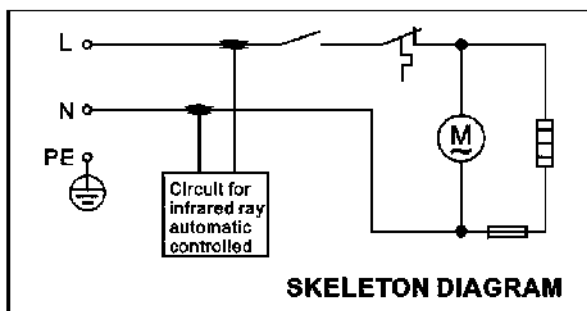
4. Fix the hand dryer as per drawing 4, ① Connect the grounded wire to the cover, ② Connect the cover sensor lead out wire to the base. ③ Hang the cover on the top of the base. ④ Pack the base and the cover firmly together, and screw down two screws by accessory wrench and switch on the power, this appliance will work automatically to the hand approached.
5. Enscore installation: Cut the power line off, lead the wire into the hand dryer through the base hole, and connect the wire with the clamp's N and L $\frac{1}{2}$.

APPLICATION:

1. When finish the installation, switch on the power and this appliance will work automatically.
2. It blows hot air to the hands approaching within the distance from 0 to 11 cm and stops working one second after the hands move away, it will also stop after one minute consecutive working, another approach will restart this appliance.
- In order to meet different circumstance, the induction sensibility of this unit is set at the highest point, if this unit works for overlong period or does not work after the installation, please adjust it according to drawing 3.

SPECIFICATION:

Voltage: 220v
 Frequency: 50Hz
 Rated power: 2500W
 Consumption: 11.4A
 Waterproof: IPX1
 Blowing rate: 30 m/s
 Blowing volume: 270 m³/h




NOTE:

1. This appliance must be installed in a place out of bathing people's reach.
2. Please not to use this appliance near the bathing basin or other bathing container.
3. This appliance must be installed in a place which people could not reach when taking a shower.
4. In order to avoid any danger, please call for professional maintenance to change the power line when it is damaged.
5. Avoid direct water injection on this appliance.
6. Please do not cover the air inlet and outlet.
7. When there is a malfunction, please switch off the power and contact with our company or the supplier near you or qualified electrician to repair this appliance.
8. This appliance is not intended for use by person (including children) with reduced physical, sensory or mental capabilities or lack of experience and knowledge, unless they have been given supervision or instruction concerning use of the appliance by a person responsible for their safety.
9. Children should be supervised to ensure that they do not play with the appliance.

ACCESSORIES:

- One copy of user manual,
- One installation template
- A pack of 4 pieces screws, wrench 1 piece and 4 pieces $\varnothing 8$ mm plastic stopples.

 The symbol on the product means that at the end of its life, the appliance has not to be considered a common waste. It is a special waste and has to be demolished in specific recovery and disposal area, as prescribed by the EC Directive 2002/96/EC (WEEE). By disposing this product correctly, you can avoid negative consequences for the environment and for the human health, due to the presence of potentially dangerous substances in the product.