

COLORATO

www.colorato.net

INSTRUCTION MANUAL OF COMMERCIAL BLENDER WITH ELECTRONIC CONTROL BOARD



MODEL: CLB-100BDC

Read carefully these instructions before using the appliance and
save them for future reference

Created by Neevia docuPrinter trial version

Contents

COLORATO recommends safety first	2
Important safeguards for your Blender	2
Important safeguards for all electrical appliances	3
Characteristics	4
Technical parameters	5
Exploded view for spare parts	6
Control panel	8
How to use the Blender.....	10
Function Program Sheet	11
Install, Take Apart The Safety Mute Cover	12
Disassembling your blender for cleaning, care and storage	13
Easy trouble shooting	14
Guarantee & service.....	14
Recipes	15

COLORATO recommends safety first

We at COLORATO are very safety conscious. We design and manufacture consumer products with the safety of you, our valued customer, foremost in mind. In addition, we ask that you exercise a degree of care when using any electrical appliance and adhere to the following precautions:


Important safeguards for your Blender

- ◆ Carefully read all instructions before operation and save for future reference.
- ◆ Remove any packaging material and promotional stickers before using the Blender for the first time.
- ◆ Make sure that the indicated voltage is the same as the local voltage.
- ◆ Do not place the blender near the edge of a bench or table during operation. Ensure that surface is level, clean and free of water, flour etc. Vibration during operation may cause the appliance to move.
- ◆ Do not place this appliance on or near a hot gas or electric burner, or where it could touch a heated oven.
- ◆ Always ensure the blender is properly assembled before use.
- ◆ Do not use any other accessories or components that are not from our manufacturer, in order to avoid damage.
- ◆ Do not remove any accessories from the product when the power is on.
- ◆ Do not leave the blender unattended while in use.
- ◆ If the blade is stuck, pull out the plug and clean the food stuck in the blade.
- ◆ Wait until the blade has completely stopped spinning before removing the cover or the mixing cup.
- ◆ Do not use this product on carpet, cloth, thin paper that might block the air outlet which can affect the heat dissipation.
- ◆ Do not soak the device in any liquid. Clean it by wet cloth only.
- ◆ Never place your fingers or utensils inside the Blender cup without unplugging the unit from the power outlet.
- ◆ Do not touch the sharp blade especially when the plug is on. Danger of injury.
- ◆ Keep hands and utensils out of the mixing cup while the motor is running, to prevent the possibility of severe personal injury and/ or damage to the blender. A rubber scrapper may be used, only when the machine is not running.
- ◆ To protect against electric shock do not immerse the base, the motor, the plug or the cord in water or any other liquid.
- ◆ Do not use the blender for anything other than mixing liquids or food.
- ◆ Use a soft piece of cloth in order to clean the display's surface.
- ◆ Always keep the device clean.
- ◆ If there is any damage on the plug or components of the device, please stop using this product, contact manufacturer or professional to change it.
- ◆ Do not remove the accessories of the device when it is in use.
- ◆ In case of food overflows, the liquid in the mixing cup can not exceed 2lit (especially in high speed processing), when processing high temperature liquid or the mixed food does not exceed from 1,5 lit of the mixing cup.
- ◆ Do not allow people with physical or mental incapability, or people that are not familiar with these types of products to use the blender.
- ◆ After using the blender, pull out the plug immediately and clean it.

Important safeguards for all electrical appliances

- ◆ Fully unwind the cord before use.
- ◆ To protect against electric shock, do not immerse cord, plug or motor base in water or any other liquid.
- ◆ Do not let the cord hang over the edge of a table or counter, touch hot surfaces or become knotted.
- ◆ This appliance is not intended for use by young children or infirm persons unless they have been adequately supervised by a responsible person to ensure they can use the appliance safely.
- ◆ Young children should be supervised to ensure that they do not play with the appliance.
- ◆ It is recommended to regularly inspect the appliance. Do not use the appliance if the power supply cord, plug or appliance becomes damaged in any way. Return the entire appliance to the nearest authorized COLORATO Service Centre for examination and / or repair.
- ◆ Any maintenance other than cleaning should be performed at a COLORATO authorized Service Centre.
- ◆ This appliance is for professional use. Do not use this appliance for anything other than its intended use. Do not use in moving vehicles or boats. Do not use outdoors.



The symbol  on the product means that at the end of its life, the appliance has not to be considered a common waste. It is a special waste and has to be demolished in specific recovery and disposal area, as prescribed by the EC Directive 2002/96/EC (WEEE). By disposing this product correctly, you can avoid negative consequences for the environment and for the human health, due to the presence of potentially dangerous substances in the product.

Attention

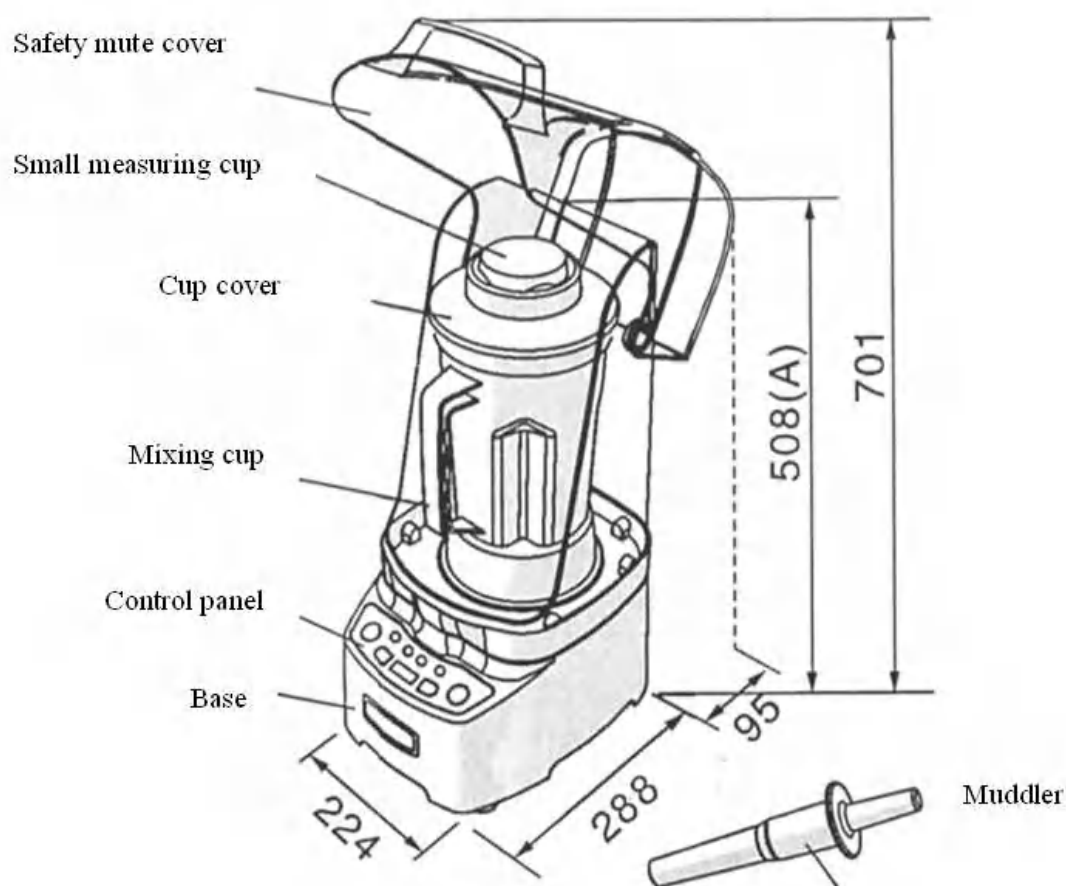
Characteristics

The blender CLB-100BDC is a new generation professional blender. Except for the traditional functions such as high revolving speed, low revolving speed and pulse, the COLORATO Blender also uses an intelligent program for different needs. We have developed functions for stirring, food processing, mixing and paste fruits, with four kinds of programs, so that the mixtures that are being produced fully complete your demands.

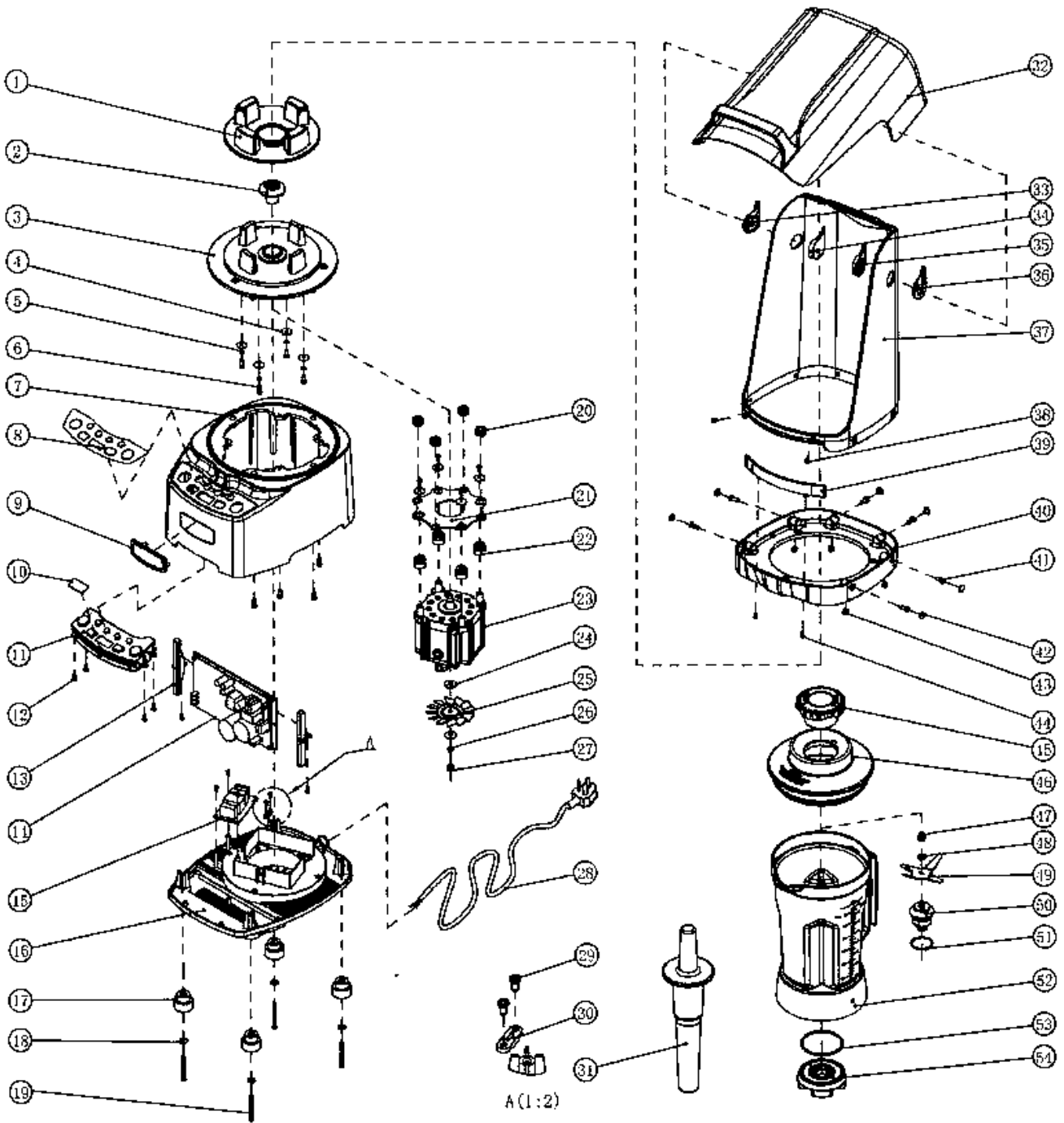
- It has a high speed brushless DC motor, without brushess, with long life, three times than the usual motors.
- It is ideal for crushing ice, melting fruits, vegetables, preparation of smoothies, milkshakes, water ice etc.
- It is being controlled by micro-computer. Each programme is working in different speed, making uniform, quick and easy mixing of the ingredients.
- 3D professional stainless steel blades.
- 2L Makrolon (PC) mixing cup with scale, thermostability, solid and unbreakable.
- Import double stainless steel ball bearing, life time more than 5 times of the normal bearings, also preventing from water inflow or leaking.
- Aloof drawing shell, gorgeous out looking.
- Easy cleaning/maintenance. All the accessories of the jug are easily disassembled and washed (including the knife)
- Silent motor, without shaking, with a special safety mute cover.
- Ideal for commercial use in cafes, bars, hotels, commercial kitchens, fast foods etc.

Technical parameters

Model	CLB-100BDC
Voltage	220-240V-/50Hz
Capacity of the mixing cup	2000ml
Durability of the mixing cup	-20°C~120°
Motor Power	1000 W
Noise level	74 db
Net weight	7.2 kg
Blade	1.5 mm, stainless steel
Cord's length	1.8 M
Dimensions	224x288x508mm (WxDxH)
Protector	Safety protector, Motor thermal protection
Max speed:	15000r/min

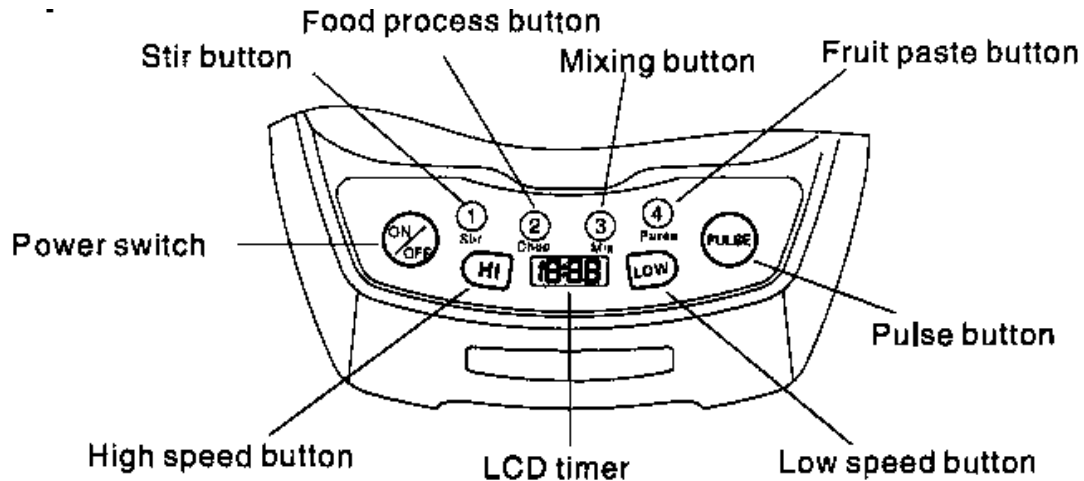






Exploded view for spare parts








1	Shock absorber	28	Power cord
2	Coupling	29	Plus screw
3	Top panel	30	Cable clamp
4	Gasket	31	Muddler
5	Gasket	32	Safety mute cover
6	Plus screw	33	Hinge B1
7	Cover	34	Hinge B2
8	Label	35	Hinge A2
9	Logo	36	Hinge A1
10	LCD screen	37	Safety mute cover
11	Control panel	38	Shock absorber
12	Plus screw	39	Bracket Panel
13	Bracket	40	Connector
14	PCB	41	Plus screw
15	EMC board	42	Plug
16	Base	43	Nut
17	Nylon bushes	44	Plus screw
18	Gasket	45	Measuring cup
19	Plus screw	46	Cup cover
20	Gasket	47	Nut
21	Fixer	48	Gasket
22	Gasket	49	Blade
23	Motor module	50	Blade holder
24	Gasket	51	Seal ring
25	Fan	52	Mixing cup
26	Gasket	53	Seal ring
27	Nut	54	Nut

Control Panel



Name	Icon	Function description	Running time
Power switch		Red light on when plugged in, flashing circle means the unit is in but status is off, in this time, other buttons will not work. Push the power switch will turn the status to standby; in standby status other buttons will work normally.	
Stir button		Press this button, the unit will work as the written program, this function will cut food to thin drinking, such as: orange juice, ice water.	15''
Food process button		Press this button, the unit will work as the written program, this function will cut food material quickly, it is able to process thick ice and hard salad materials.	31''
Mixing button		Press this button, the unit will work as the written program, this function will mix 2 or more food materials equally,	35''


		such as cocktail and mayonnaise.	
Fruit paste button		Press this button, the unit will work as the written program, this function will process food material to dense liquid such as ketchup, salad dressing and banana milkshake.	78''
High speed button		Press this button, the motor will run in high speed and the speed will not change when it is running.	180''
Low speed button		Press this button, the motor will run in low speed and the speed will not change when it is running.	180''
Pulse button		Press this button, the motor will run in the highest speed, motor will stop running while releasing this button. This function is able to cut big hard ice into snowflakes in 5 seconds and also process food material at any time.	30'' (continuous pressing)
LCD timer		The timer shows the time of high speed, low speed and pulse. It also shows the program numbers of mixing, fruit paste, stir and food process functions.	

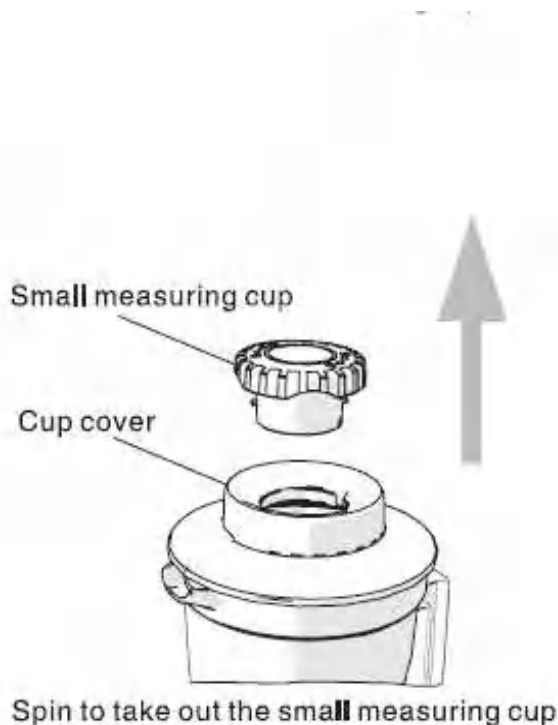
How to use the Blender

BEFORE USE:

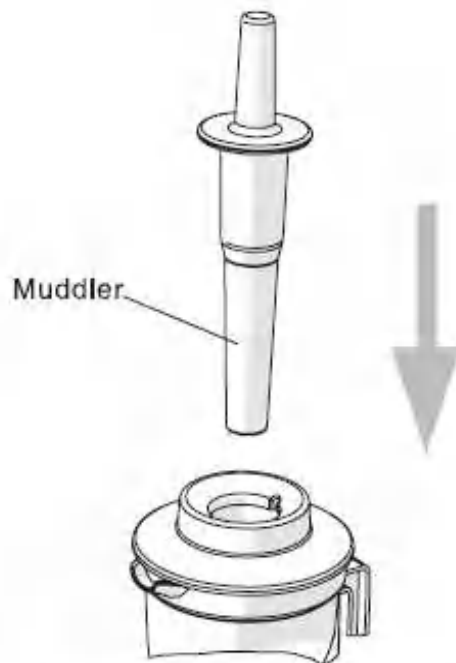
1. Clean thoroughly all the parts and accessories of the appliance that are directly contacting the food, before the use.
2. Check carefully if all the parts and accessories are in good condition.
3. Fully unwrap the cord that is placed below the appliance.
4. Put the material in the mixing cup, the right order should be: soft material first and then hard material, liquid at last.
5. The material that you put in should not exceed the scale line, especially high temperature liquid and mixing material, otherwise material will overflow while processing.
6. If you cut solid food into 2-3 cm pieces will make the process easier.

USE:

- Open the safety mute cover, then put the mixing cup vertically on the main part, make sure the cup cover is completely driving fit, whether the small measuring cup is in the cup cover, spin it to lock.
- Close the safety mute cover; plug in, press  button into standby status, then press function buttons to process food.
- If you need muddler when processing, you can open the safety mute cover, unlock the small measuring cup, put the muddler into the little door and swing the muddler to help mixing.
- You can also put in some assisting material in the little door on the cup cover.
- You can stop the motor by pressing any button, until the motor stops running, open safety mute cover and take the mixing cup out.



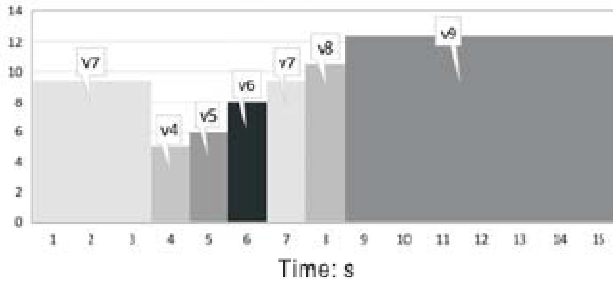
Spin to take out the small measuring cup



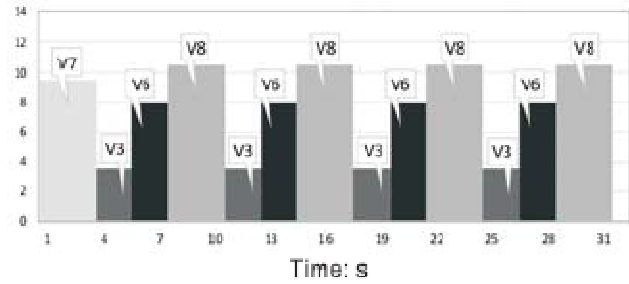
Put the muddler into the mixing cup from the charge door on the cup cover to help mixing.

Function Program Sheet

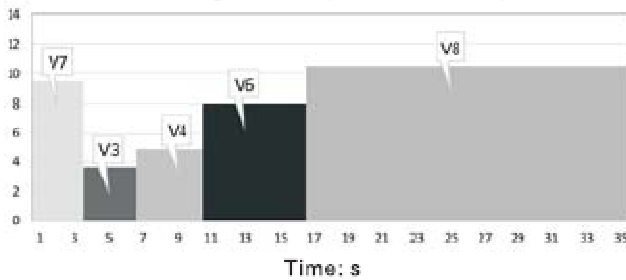
Stir mode (time: 15sec)



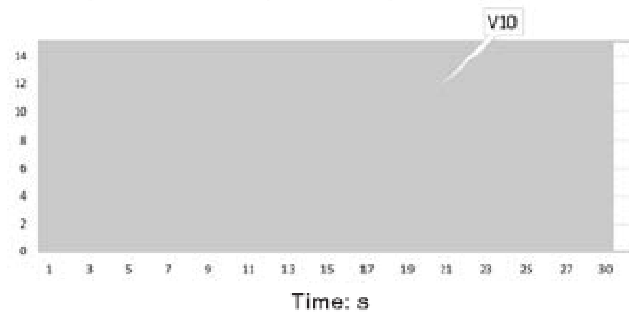
Food process mode (time: 31sec)



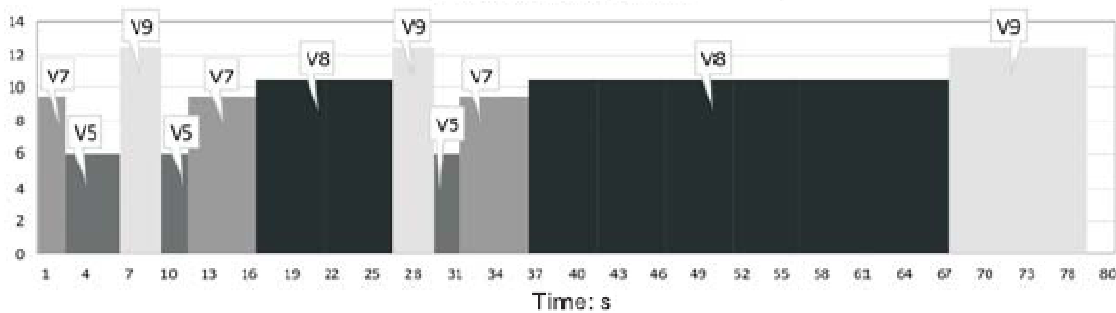
Mixing mode (time: 35sec)



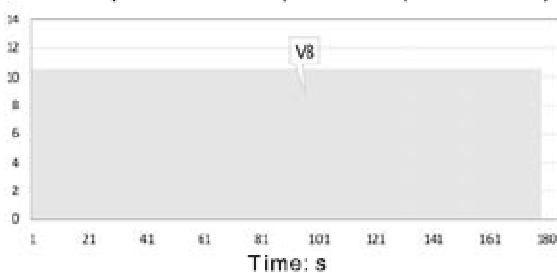
pulse mode (auto stop: 30sec)



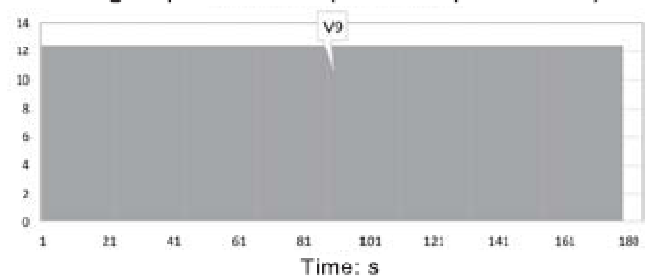
Fruit paste mode (time: 78sec)



Low speed mode (auto stop: 180sec)



High speed mode (auto stop: 180sec)



NOTICE:

1. "V" is revolving speed (RPM)
2. All the appliances have the integrated heating sensor to detect how the motor is being heated and it will automatically stop it in case of being overheated. In this case, the user should remove the jug and let the appliance get cold. This will take about 2 minutes.

Special note:

Check the function when the motor h\gets overheated. If the appliance is working all day and the ingredients are too thick, it will easily be cause overheating.

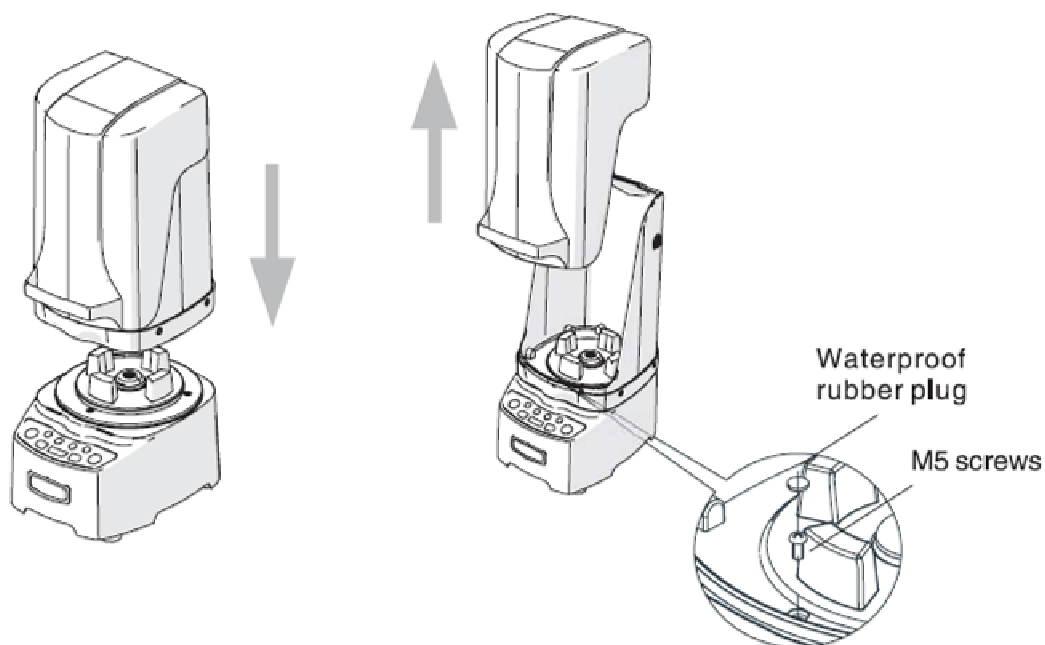
Install, Take Apart The Safety Mute Cover

The safety mute cover can help reduce the noise of the blender.

- Model CLB-100BDC includes safety mute cover.

Τοποθετήστε ή αφαιρέστε το κάλυμμα ασφαλείας, όπως φαίνεται στην εικόνα.

1. Put the safety mute cover on the main part, aiming at 3 mounting holes.
2. Screw the M5 screws (included in the box) and put the waterproof rubber plug in.
3. If you need to wash the upper cover, lift it the cover up and take it out.



Disassembling your blender for cleaning, care and storage

Cleaning after use

1. Always ensure the blender is OFF by pressing the POWER switch down or letting the PULSE switch and unplugging the power cord from the power outlet.
2. Remove the mixing cup from the motor base by grasping the handle and lifting the jug in an upward direction.

Cleaning the motor base

1. Wipe the motor base with a soft, damp cloth, and then dry thoroughly.
2. Wipe any excess food particles from the power cord.

Cleaning the blender jug, inner lid and lid

Wash all parts in warm soapy water and dry with a soft cloth. Use a kitchen bottle brush to dislodge stubborn foods. Rinse and dry thoroughly.

Do not use abrasive scouring pads or cleaners when cleaning the parts of motor base as they may scratch the surface.

Note

Storage

Store the Blender on the top of the workbench. The mixing cup and lids can be assembled and stored on top of the motor base or next to it.

The chopping blade is extremely sharp!! Use caution when handling and storing these parts.

Note

Removing stubborn or strong food stains and odors

Strong smelling foods such as garlic, fish and some vegetables such as carrots may leave an odor or stain on the blender jug and lid. To remove, soak blender jug and lid for 5 minutes in 100 ml bleach dissolved in 2 liters water. Then wash with a mild detergent and warm water, rinse well and dry thoroughly.

Easy trouble shooting

Issue	Possible reason	Method
The device is not working	The plug is not in.	Check whether the plug is in or the device is in running mode.
	The motor is overheating, turn into protection status.	Ventilate the device, wait about 20 minutes until the motor cools down.
The device is over shaking	The device is not placed on a stable place.	Put on the main part.
	The mixing cup is not completely placed on the main part.	Reduce the food material.
The mixing cup is leaking	The water is over the highest limit of the mixing cup.	Reduce the water.
	The cup cover or/and the mixing cup are not completely driving fit.	Make sure that the cover/mixing cup fits well.

Guarantee & service

We hereby guarantee that our appliances conform to relevant safety standards and technical requirements. Appliance functions well and adequately provided that the user follows normal use and proper maintenance.

Free service is guaranteed if any failure is confirmed by our maintenance man due to workmanship or material cause within 1 year since purchase.

Valid invoice and corresponding warranty card must be available for guaranteed service. The warranty does not cover following conditions even within 1 year warranty period:

1. Damage due to incorrect installation
2. Damage due to incorrect power supply
3. Damage due to installation not authorized by our ratification
4. Damage in the transporting process
5. Damage due to the natural disaster or personal reason

Free guarantee service is only for repairing the failed appliance, but does not cover other charges caused by repair.

For damage out of the warranty period, repair is also available but with proper charge basis.

Recipes

Margarita

60 ml Tequila
60 ml Cointreau
80 ml lime juice
12 ice cubes

1. Place Tequila, Cointreau, lime juice and ice cubes into blender jug.
2. Use program 2.
3. Serve in salt rimmed glasses.

Cocktail 1

2 teaspoons of honey
20 ml orange juice
1/4 liter of milk
1 egg yolk
Ice cubes
A slice of orange for the garnish

1. Use program 2.

Cocktail 4

40 ml Gin
2 tablespoons of yoghurt
10 ml lime juice
1 teaspoons of honey
Ice cubes

1. Use program 2.

Rockmelon and pineapple frappe

1 cup chopped rockmelon
1 cup canned pineapple pieces
1 cup ice
Mint leaves, to serve

1. Place rockmelon, pineapple and ice into the blender jug.
2. Set at the max Speed and blend until all ingredients are crushed and mixture is smooth and thick.
3. Serve with chopped mint leaves.

Cocktail 2

1 beetroot
2 teaspoons of plum jam
1 teaspoons of tomato paste
1 tomato (pith)
1 teaspoons of sugar
Pink pepper
Ice cubes

1. Use program 2 and then program 4.

Cocktail 5

1 handful of salad rocket
1 kiwi
The juice of 2 limes
The juice of 1 lemon
1 tablespoons of sugar
Ice cubes

1. Use program 2.

Strawberry Smoothie

150 g strawberries
250 ml milk
2 scoops vanilla ice cream
Strawberry topping, to serve

1. Place strawberries, milk and ice cream into the blender jug.
2. Set at the Max Speed and blend until smooth and combined.
3. Serve with strawberry topping drizzled over top.

Cocktail 3

1 handful of strawberries
2 teaspoons of raspberry jam
1 handful of red grape
1 whole mandarin
1 shot of Mavrodaphne wine (small cup of the blender)
A just of ginger
Lime zest
Ice cubes

1. Use program 2 and then program 4 for the half of the time.

Cocktail 6

1 handful of spinach
6 grape berries
2-3 leaves of celery
1 teaspoons of brown sugar
40 ml Muscat wine of Lemons
Ice cubes

1. Use program 2.